

# E-Power Variable Speed Pump

For large residential pools and water features



ENERGY  
SAVING



LOW NOISE  
LEVEL



ONE TOUCH  
CONTROLLER

## Robust and Reliable Latest Hydraulic Design

Traditional single speed pump runs at maximum load continuously, inefficient and high running cost compared to the Emaux EPV range. Reduced speed provides slower water circulation rates puts less strain on the complete installation such as filter, sanitization and plumbing. It reduces the wear and tear factor ending in saving to the home owner.

### Product Features:

1. Permanent Magnet Motor (PMM)
2. Totally Enclosed Fan Cooled (TEFC)
3. 5L Strainer Basket
4. S.S.316 Shaft
5. S.S.316 Mechanical Seal
6. 2"/2.5" Union Connection
7. IPX5 Waterproof Standard



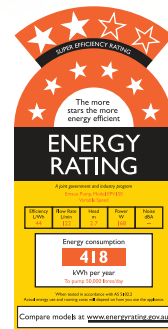


# REDUCE UP TO 85% OF ENERGY CONSUMPTION

## Energy Saving

Emaux E-Power Variable Speed Pump reduces the energy usage of your pool, spa, and water features. The saving is due to its higher efficiency, eliminated over-usage and a lower equipment maintenance cost.

Most of the energy saving comes from the ability to program the pump and reach the ideal flow rate by scheduling the E-Power Variable Speed Pump. Power consumption reduces as pump speed and water flow reduces. Reducing the speed of your pump by half, the flow rate also drops to half, but the power consumption of the pump is reduced by 85%.



## User-Friendly Controller

Emaux E-Power Variable Speed Pump maximizes the efficiency of your pool filtration system with the aid of an one-touch controller. The presettable direct speed controller enables the homeowner to manage their usage with a press of a single button to schedule their water system with a peace of mind.

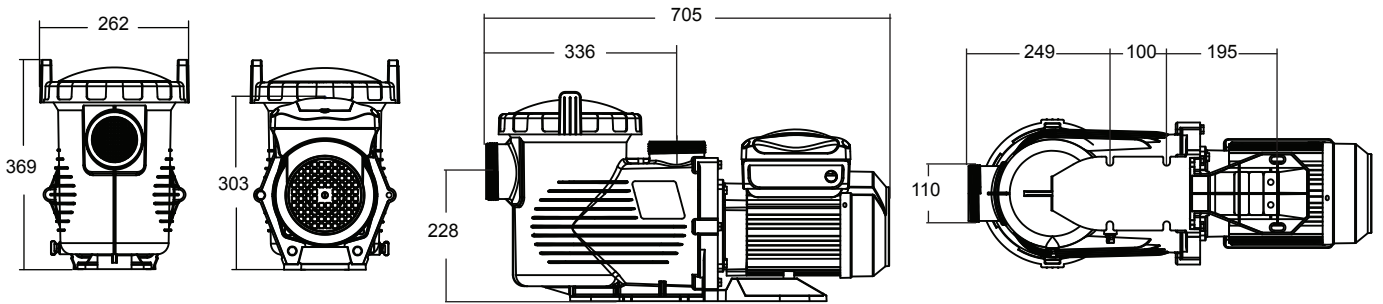
- Speed 1 (900RPM)
- Speed 2 (1500RPM)
- Speed 3 (2500RPM)
- Speed 2 (2900RPM)



## Super Quiet Operation

With the advanced hydraulic design, water moves much more efficiently and the operation is whisper quiet with the E-Power Variable Speed Pump operating at lower speeds. The Permanent Magnet Motor technology eliminates excessive motor noise. E-Power Variable Speed Pump brings you to another level of satisfaction.

### Product Dimension (unit: mm)



### Technical Information

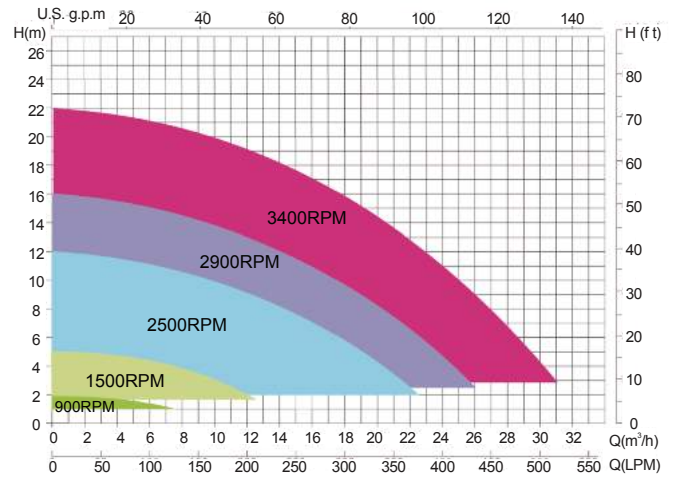
Code (220V-240V 50/60Hz)	Model	Connection Size	Max. Input Power (kW)	Horsepower (hp)	Weight (kg)
88021107	EPV150	2.0" / 63mm 2.5" / 75mm	1.50	1.50	23
88021108	EPV200	2.0" / 63mm 2.5" / 75mm	1.80	2.00	24
88021109	EPV300	2.0" / 63mm 2.5" / 75mm	2.20	3.00	25

### Performance Data

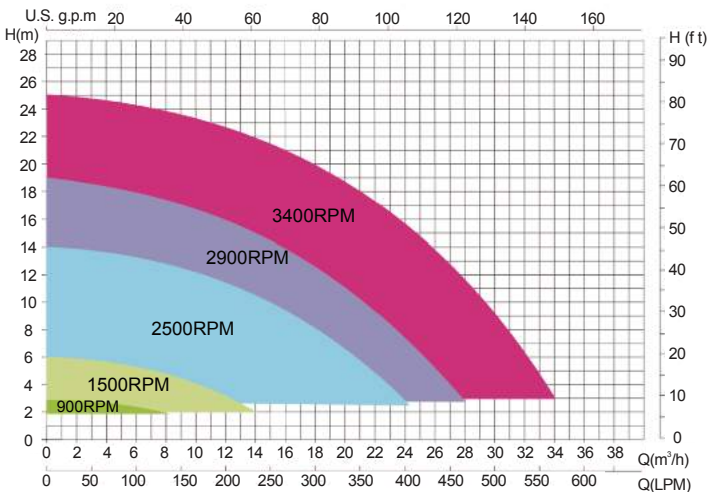
#### Model: EPV150

Speed (RPM)	Flow (LPM)	Efficiency (Liter/Watt)	Flow (GPM)	Efficiency (Gallon/Watt)	Power (Watt)
900	101	121	27	32	50
1500	207	95	55	25	130
2500	368	44	97	12	505
2900	417	29	110	8	850
3400	509	26	135	7	1190

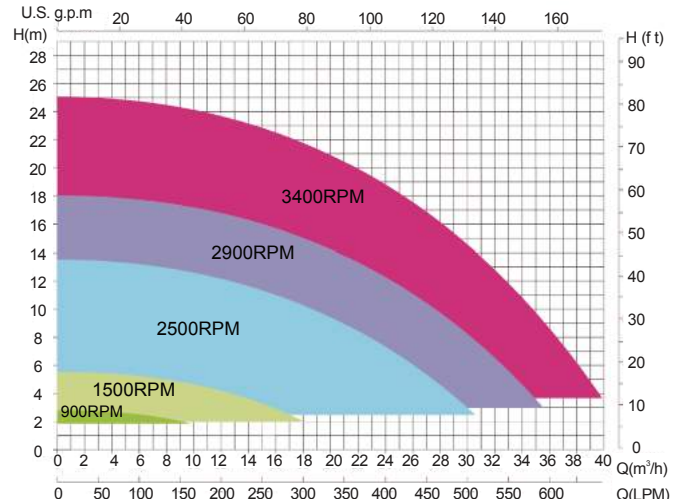
EPV150 230V-50Hz/60Hz



EPV200 230V-50Hz/60Hz



EPV300 230V-50Hz/60Hz





# E-Power Pump

## HIGH PERFORMANCE & HEAVY DUTY

For residential and semi-commercial pools

### Product Features

- 1) Asynchronous, Two poles motor
- 2) Class insulation: 130(B)
- 3) IPX5 Waterproof standard
- 4) Built-in thermal protection
- 5) Overload protection
- 6) Available in 50Hz or 60Hz with 220V/380V
- 7) Special design union compatible for both imperial and metric measurement standard
- 8) Imperial and Metric measurement standard
- 9) S.S.316 Shaft
- 10) S.S.316 Mechanical seal
- 11) Self-Priming up to 2.5m above water level
- 12) Testing pressure 50 PSI (3.5 Bar)
- 13) Basket Volume 5 litres

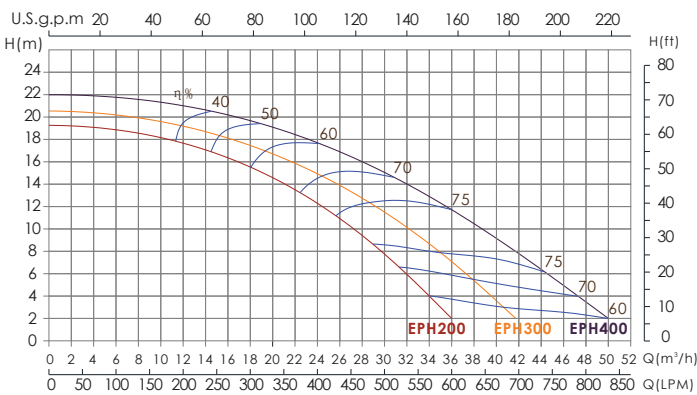


## An Excellent Self-Priming Pump

Ring lock seal design eliminate suction leaks and maximize suction efficiency



### Technical Information



Remark: The performance curve above is for 50Hz models.

Model 50Hz	Input (kW)	Current (AMP)	Noise (dB)	Head (m)					
				6	8	10	12	14	16
EPH200	1.8	8.2	68	32	30	27	24	21	17
EPH300	2.2	10.0	69	37	35	32	29	26	22
EPH400	2.8	12.5	71	45	42	39	36	32	28

Code 220V/50Hz	Code 220V/60Hz	Code 380V/50Hz	Model	Connection Size	Horsepower	Weight(kg)
88020708	88021008	88020808	EPH200	2" / 63mm 2.5" / 75mm	2.0hp	23.0
88020709	88021009	88020809	EPH300	2" / 63mm 2.5" / 75mm	3.0hp	24.0
88020718	88021018	88020818	EPH400	2" / 63mm 2.5" / 75mm	4.0hp	25.0

### Product Dimension

